



For The ON-THE-GO Pet™

# INSTRUCTION MANUAL HOME 'N GO PET PEN

PG4200LS



To see our full line of products, visit us online at: [www.petgearinc.com](http://www.petgearinc.com)

## CUSTOMER SERVICE HELP DESK

[customerservice@petgearinc.com](mailto:customerservice@petgearinc.com)

Toll-Free 877-752-9123 - Eastern Standard Time 8am-3pm, Monday through Friday

# PARTS LIST

Check that you have all the parts shown **BEFORE** assembling your product.  
If any parts are missing, call Customer Service.



Pen

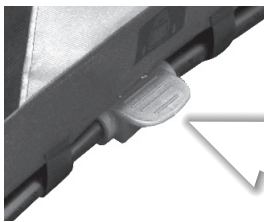


Removable  
Liner

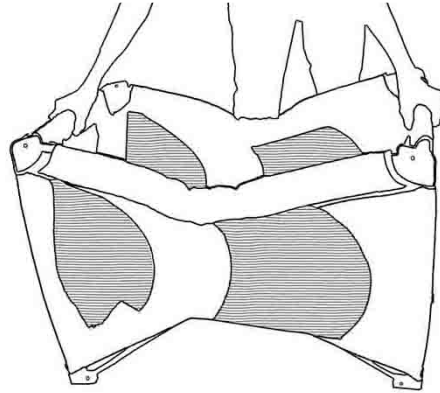
# SET UP

**DO NOT** push center down yet.

Step 1. When setting up, lock rails **BEFORE** lowering secondary latch.



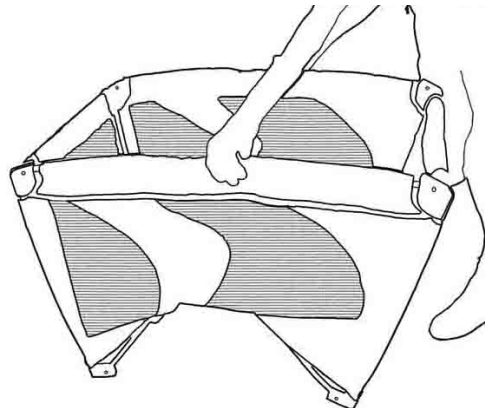
Secondary  
Latch



SNAP!

Step 2. Be sure top rails have become rigid.  
If not, pull up again until they are rigid.

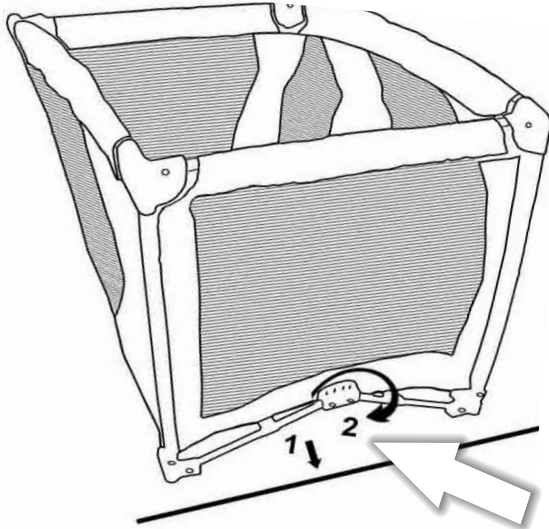
If top rails do not latch, push the button of the legs  
toward each other.



SNAP!

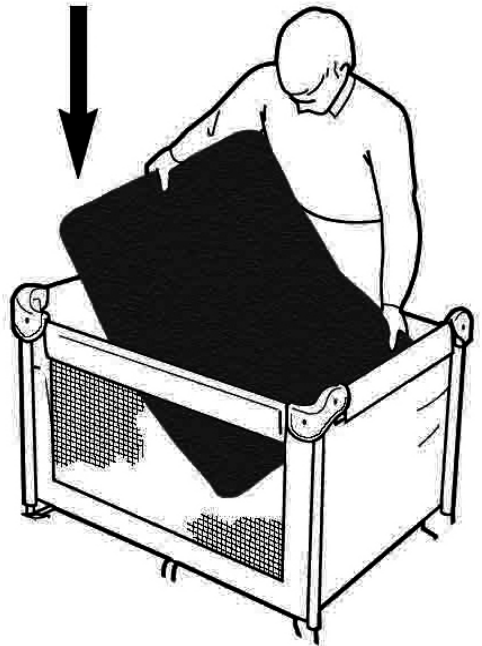
# ASSEMBLY

Step 3. Engage secondary latch by pushing tubes down to the floor and turning secondary latch. Repeat this so all four sides have the secondary lock engaged.



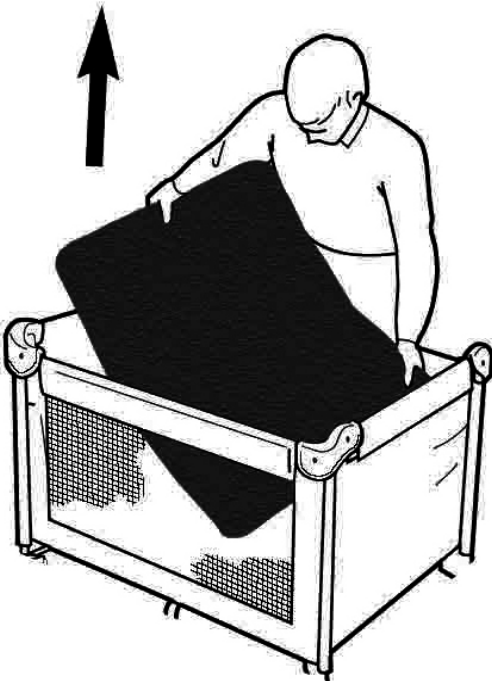
Secondary Latch

Step 4. Insert removable liner.

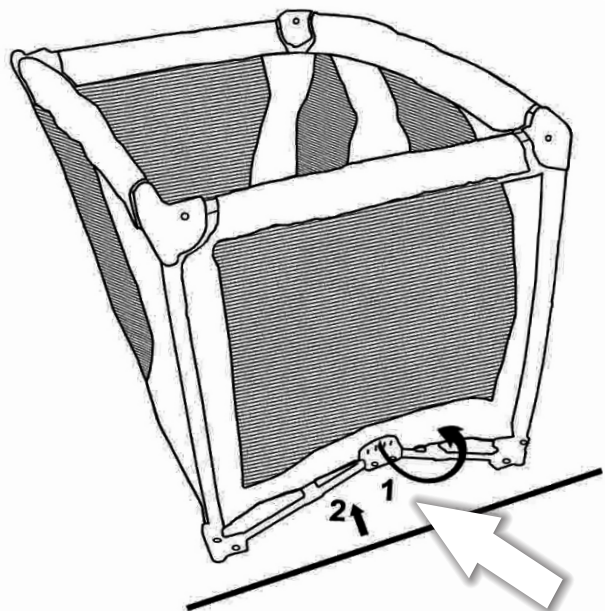


# TO FOLD

Step 1. Remove liner.

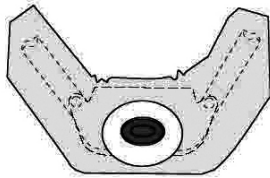
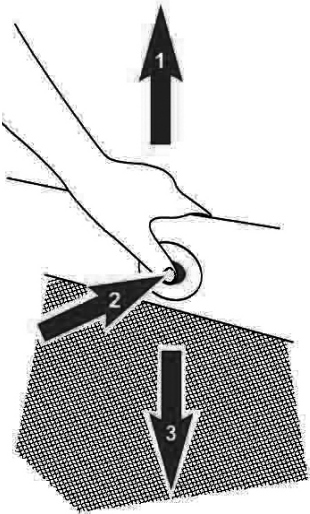


Step 2. DO NOT unlock top rails yet. Release secondary latch. Lift up on tubes to create a "V" shape on all four sides.



Secondary Latch

# TO FOLD



**Step 3. Secondary latch must be released and tubes pulled up to create a "V" shape.**

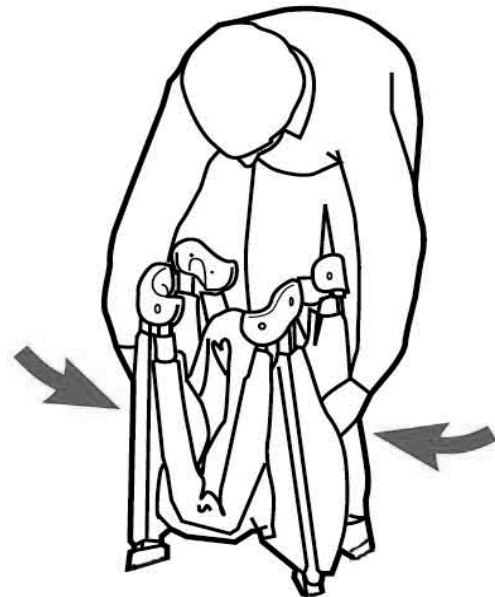
**Lift up slightly on the top rail.**

**Push in on the button located on the side of the top rail to release the two tubes.**

**Push down.**

**Step 4. Do Not Force. If unit will not fold, look for a partially latched top rail.**

**Squeeze the latch button to release the rail.**



**\*If top rails do not unlatch, DO NOT FORCE.**

**Push the bottom of the legs toward each other.**

**\*Both tubes must be released for the top rail to fold.**

## **CARE AND MAINTENANCE**

From time to time, check your Pet Play Area for worn parts, torn material or stitching.  
To clean Pet Play Area, use only household soap or detergent and warm water.

## **AVOIDING SUFFOCATION HAZARDS**

Never use plastic shipping bags or other plastic film as pad covers not sold and intended for that purpose.  
They can cause suffocation. This product is not intended for commercial use.

## **SETTING UP THE PET PLAY AREA**

**THIS PRODUCT REQUIRES ADULT ASSEMBLY.**

Be sure the Pet Pen is completely set up before use.

Always follow the instructions in the product instructions to set up the Pet Pen.

Before each use, inspect this product for damaged hardware, loose joints, missing parts, or sharp edges.

Do not use the Pet Pen if any parts are missing or broken.

Call **PET GEAR** at 1-877-752-9123 for replacement parts. Use only **PET GEAR** replacement parts.

Visit our website [www.petgearinc.com](http://www.petgearinc.com) to view or download the product instructions.

Do not substitute parts.

## **USING THE PET PLAY AREA**

Remove collar and leashes while using this product. The Pet Pen is for playing or sleeping.

When used for playing, never leave pet unattended and always keep pet in view. When used for sleeping, you must still provide the supervision necessary for the continued safety of your pet.

Always keep the Pet Pen away from hazards in the area that may injure your pet.

**DO NOT** leave pet in product for prolonged periods of time.

## **WARNING!**

### FOR PETS ONLY.

Not intended to be used as a restraining device for aggressive or dangerous animals that dig, chew or paw aggressively. Do not leave your pet unattended. **PET GEAR** is not liable for any damage caused by aggressive, destructive, immature or untrained animals. Do not use near an open or exposed flame. Failure to follow these warnings and the instructions could result in serious injury or death.

## **REPLACEMENT PARTS**

Use only **PET GEAR** replacement parts.

Please have your model number ready before calling.

You can also request parts: <http://www.petgearinc.com/main.asp?sel=2>



192 Sheldon Avenue • West Rutland, VT 05777 • 877-752-9123 • [www.petgearinc.com](http://www.petgearinc.com)